

VS200

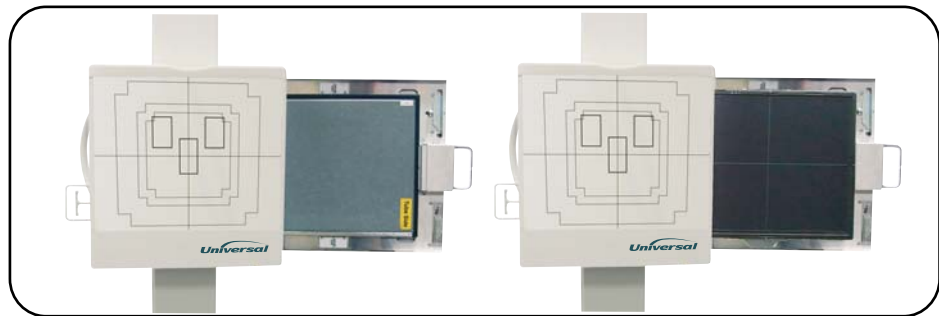
UPRIGHT WALL STAND for analog or digital imaging

This sturdy wall stand features a slender column design with smooth, vibration free movement with easy and accurate positioning.

The extensive vertical travel allows for a full range of upright radiographic studies from skull to lower extremities.

Product Features

- Side-mounted patient hand grips with optional overhead patient handgrip (pictured)
- Flexible cable concealment tubing
- Available with 17in x 17in (43cm x 43cm) grid cabinet or bucky and a wide selection of grid options



Configurable for analog or digital imaging

VS200

UPRIGHT WALL STAND



Technical Specifications

Column height:	83in (210.82cm)
Height (includes vertical travel):	84in (213.36cm)
Depth:	12.38in (31.44cm)
Receptor width:	24.62in (62.53cm)
Weight (with receptor):	250lb (113.4kg)
Front panel aluminum equivalency:	0.4mm

Certifications

ETL listed

Product Options

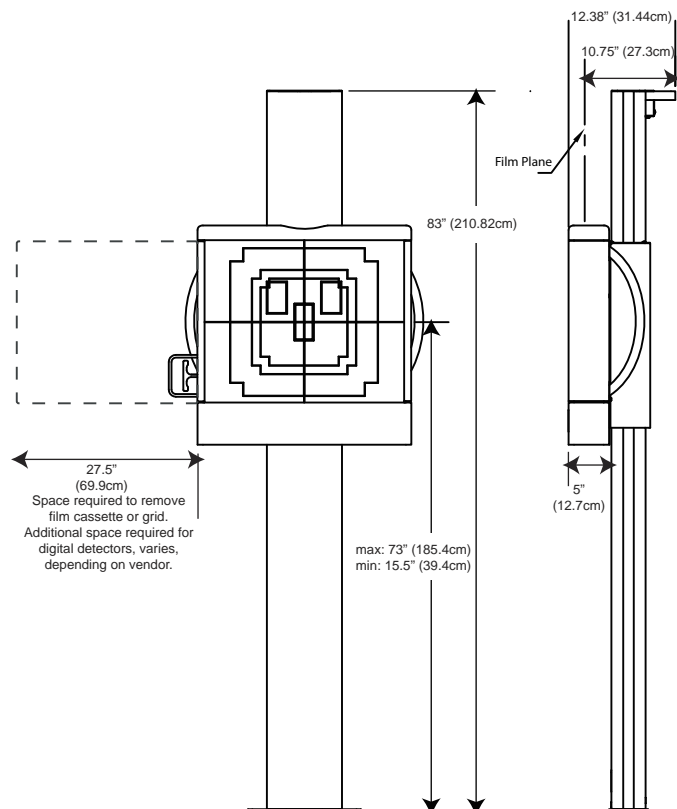
- 17in x 17in (43cm x 43cm) grid cabinet or bucky
- Deluxe, heavy-duty manual cassette tray
- Size-sensing cassette tray with PBL interface
- Floor mount kit for freestanding version
- Overhead patient hand grip
- Wall mount bracket extension kit
- Auto tracking kit
- Ion chamber (AEC)
- Variety of grid options



Overhead patient handgrip



Floor mount kit



Variations in some specifications occur between film and DR configurations, depending on DR vendor.

DEL MEDICAL

Toll Free: (800) 800-6006
Fax: (847) 288-7011
Email: info@delmedical.com
www.delmedical.com
241 Covington Drive, Bloomingdale, IL 60108



Universal branded products are manufactured and distributed by UMG/Del Medical. Del Medical is an ISO 13485 & ISO 9001 Certified facility. Specifications are subject to change without notice.



Toll Free: (800) 261-9808
Fax: (914) 835-6111
Email: info@umgxray.com
www.umgxray.com
28 Calvert Street, Harrison, NY 10528