

VS100

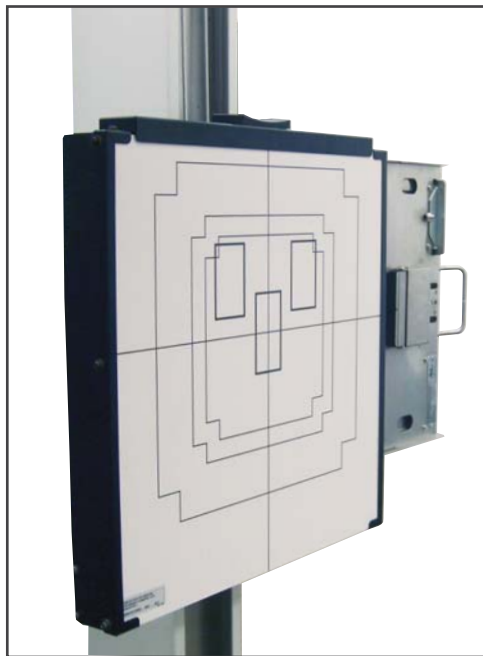
(Model #3546E)

VERTICAL WALL STAND

A counterbalanced wall stand with vertical electric locks that allow for easy positioning. The extensive vertical travel allows for a complete range of exams from skull to weight bearing knee and ankle exams.

Product Features

- Dual counterweight cables for added safety
- Vertical travel range of 58.38in (148.28cm)
- Available with 17in x 17in (43cm x 43cm) grid cabinet or bucky and a wide selection of grid options



VS100

(Model #3546E)

VERTICAL WALL STAND

Technical Specifications

Wall stand height:	86.75in (220.4cm)
Receptor height:	23.38in (59.4cm)
Vertical travel range:	58.38in (148.28cm)
Wall stand width (with receptor):	23.25in (59cm)
Wall stand depth (with receptor):	13in (33cm)
Maximum focal spot height:	72.38in (183.84cm)
Minimum focal spot height:	14in (35.6cm)
Front panel aluminum equivalency:	0.4mm
Weight:	258lb (117kg)
Power requirements:	24VDC



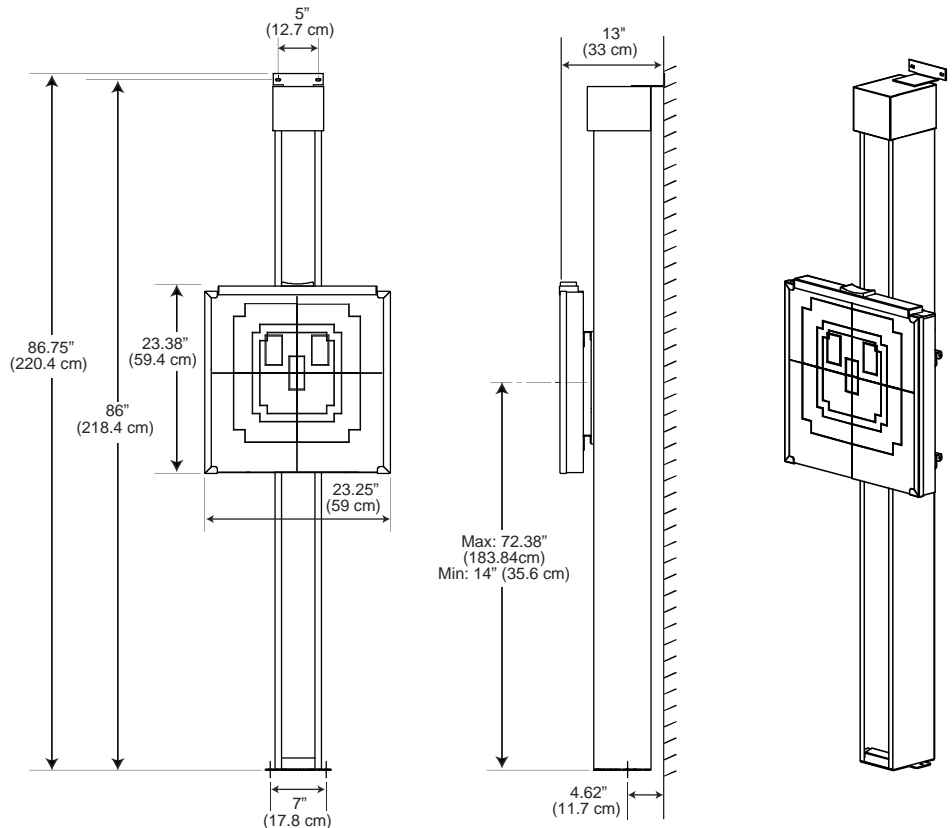
Certifications

ETL Listed

Product Options

- 17in x 17in (43cm x 43cm) grid cabinet or bucky
- Deluxe, heavy-duty manual cassette tray
- Size-sensing cassette tray with PBL interface
- Ion chamber (AEC)
- Variety of grid options
- 24VDC external power supply 110/220V

Optional cassette tray accepts 17in x 17in (43cm x 43 cm) or smaller cassettes or digital panels.



DEL MEDICAL

Toll Free: (800) 800-6006

Fax: (847) 288-7011

Email: info@delmedical.com

www.delmedical.com

241 Covington Drive, Bloomingdale, IL 60108



Universal branded products are manufactured and distributed by UMG/Del Medical. Del Medical is an ISO 13485 & ISO 9001 Certified facility. Specifications are subject to change without notice.

UMG

Toll Free: (800) 261-9808

Fax: (914) 835-6111

Email: info@umgxray.com

www.umgxray.com

28 Calvert Street, Harrison, NY 10528

05.2013 #9000-3546EUX