

DEL MEDICAL

VT300

Tilting Wall Stand

The Del Medical VT300 wall stand features a tilting image receptor which allows effortless full body examinations. This wall stand delivers advanced maneuverability making it the ideal choice for any imaging environment including hospitals, medical imaging facilities, and private practices.

Product Features

- Available with standard cassette/rotating tray, or 17 x 17" fixed detector mounted inside
- Simple, smooth operation
- Electromagnetic control buttons permit easy one-handed operation
- All movements are counterbalanced



VT300

Tilting Wall Stand



Effortless operation

The VT300 offers one-handed operation of its vertical travel and tilting motion. Every adjustment is precisely counterbalanced to produce smooth, steady movements with light effort applied by the technologist. This makes the VT300 accommodating to all users regardless of size or strength.

Comfortable patient positioning

Its 56" vertical travel range and contoured chin rest provide patient comfort for standing or seated chest examinations. Optional overhead patient handgrips are available to improve positioning safety.

Flexible install

The VT300 operator control buttons can be changed to either side of the image receptor to adapt to specific room configurations or user preference.

Technical Specifications

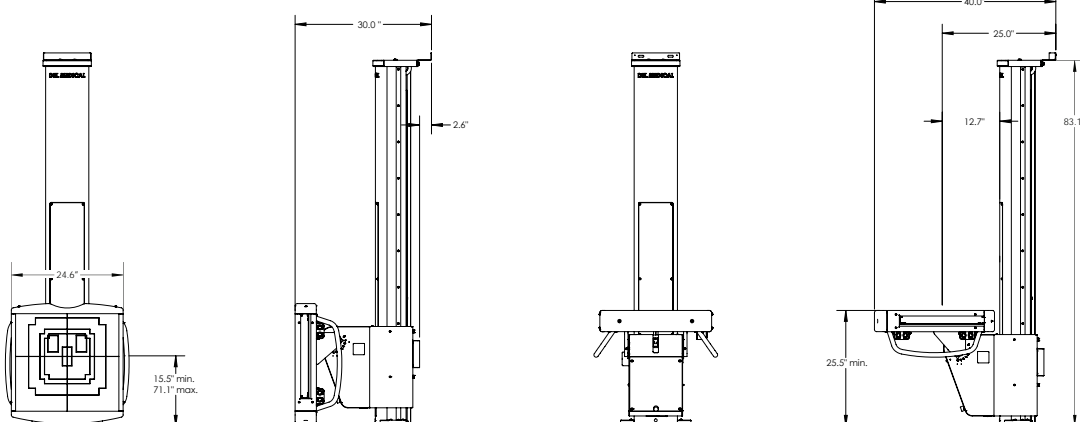
- Receptor tilt range: +90°/-20°
- Vertical travel range, vertical receptor: □ 15.5" (39.4cm) to 71.1" (180.6cm)
- Vertical travel range, +90° receptor: □ minimum 25.5" (64.8cm)
- Height: 83.1" (211cm)
- Depth □ with vertical receptor: 30" (76cm)
- Receptor width: 24.6" (62.5cm)
- Receptor height: 26.5" (67.3cm)
- Weight: 765.5 lbs. (347.2kg)
(without counterweights): 368.5 lbs. (167kg)
- ETL listed

VT300 Options

- 8" (20cm) extension box
- Overhead patient handgrips



** All specifications subject to change without notice*



02.17 #9000-VT300

DEL MEDICAL

Toll Free: (800) 800-6006
Fax: (847) 288-7011
Email: info@delmedical.com
www.delmedical.com
241 Covington Drive, Bloomingdale, IL 60108

UMG

Toll Free: (800) 261-9808
Fax: (914) 835-6111
Email: info@umgxray.com
www.umgxray.com
28 Calvert Street, Harrison, NY 10528