

# DEL MEDICAL

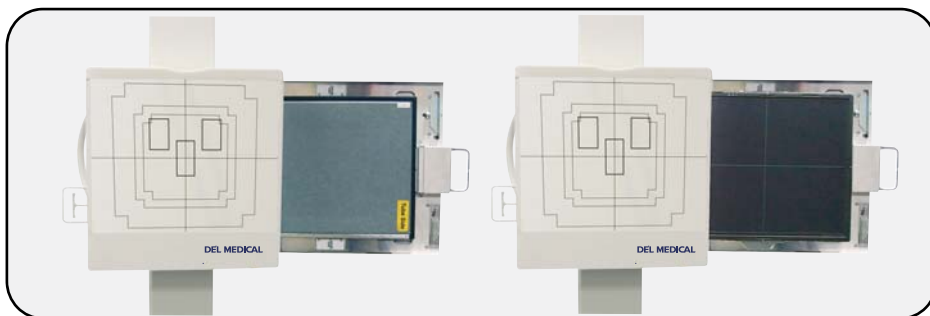
# VS200

## Upright Wall Stand

The Del Medical VS200 features a slender column design with smooth, vibration free movement allowing for easy and accurate positioning. A full range of upright, standing and cross-table lateral studies can be achieved with the extensive vertical travel range.

### Product Features

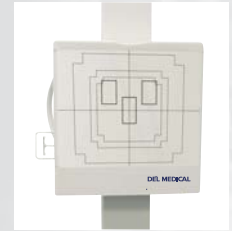
- Side-mounted patient hand grips
- Flexible cable concealment tubing
- Available with 17" x 17" (43cm x 43cm) grid cabinet or bucky and a wide selection of grid options



*Configurable for analog or digital imaging*

# VS200

## Upright Wall Stand



### Technical Specifications

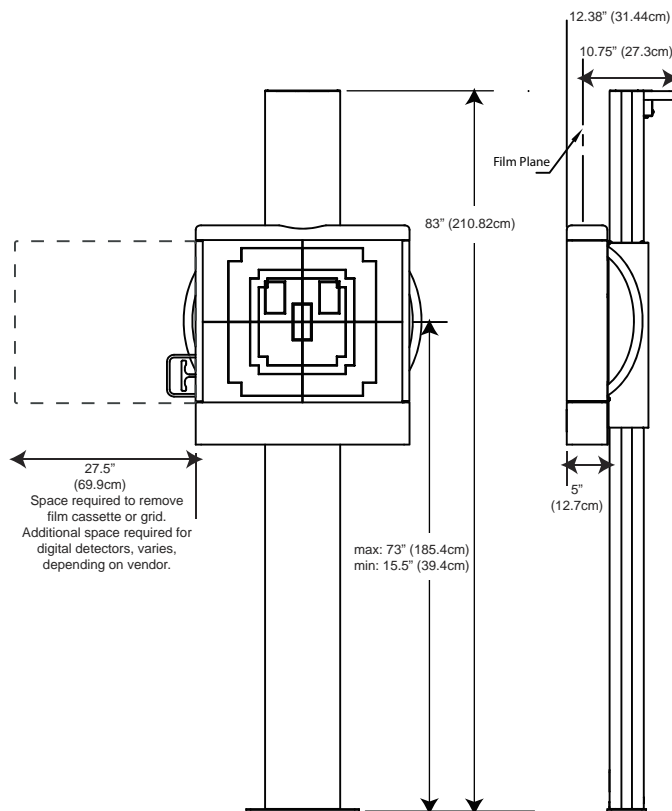
Column height:	83in (210.82cm)
Height (includes vertical travel):	84in (213.36cm)
Depth:	12.38in (31.44cm)
Receptor width:	24.62in (62.53cm)
Weight (with receptor):	250lb (113.4kg)
Front panel aluminum equivalency:	0.4mm

### Certifications

- ETL listed

### VS200 Options

- 17" x 17" (43cm x 43cm) grid cabinet or bucky
- Deluxe, heavy-duty manual cassette tray
- Size-sensing cassette tray with PBL interface
- Floor mount kit for freestanding version
- Overhead patient hand grip
- Wall mount bracket extension kit
- Auto tracking kit
- Ion chamber (AEC)
- Variety of grid options



Variations in some specifications occur between film and DR configurations, depending on DR vendor.



Floor mount kit



Overhead patient handgrip

## DEL MEDICAL

Toll Free: (800) 800-6006  
 Fax: (847) 288-7011  
 Email: [info@delmedical.com](mailto:info@delmedical.com)  
[www.delmedical.com](http://www.delmedical.com)  
 241 Covington Drive, Bloomingdale, IL 60108

*Del Medical is a UMG Company.  
 Del Medical is an ISO 13485 & ISO9001 Certified Facility.  
 Specifications are subject to change without notice.*

## UMG

Toll Free: (800) 261-9808  
 Fax: (914) 835-6111  
 Email: [info@umgxray.com](mailto:info@umgxray.com)  
[www.umgxray.com](http://www.umgxray.com)  
 28 Calvert Street, Harrison, NY 10528