

# DFMTPS

The DFMTPS tube stand only requires a floor mounted rail for support and can be installed in rooms with ceiling heights as low as 87" (221cm). It is an ideal choice for a complete range of radiographic procedures and eliminates the need for costly room modifications.



## FLOOR MOUNTED TUBE STAND

with Digital Touch Screen Display

### Technical Specifications:

Ceiling height:	Minimum 87 in. (221 cm)
Column height:	85.50 in. (217 cm)
Vertical travel:	64.5 in. (164 cm) total
Floor to focal spot: (with standard platform mount)	Minimum 11 in. (28 cm), Maximum 75.50 in. (192 cm)
Longitudinal travel:	94 in. (239 cm)
Rail longitudinal length:	120 in. (305 cm)
Transverse travel:	11 in. (28 cm)
Tube, collimator and cable support capacity:	88 lbs. (40 kg)
Tube standard weight:	460 lbs. (209 kg)
Platform assembly weight:	125 lbs. (57 kg) net
Column rotation:	180 ° where installation permits
Tube rotation:	±180° detents for lateral decubitus projections
Base assembly to rear wall:	8 in. (20.5 cm)
ETL Listed	

### Touch Screen Specifications:

Display size:	8.4 in. LED backlight panel
Resolution:	800 x 600
Brightness:	450 cd/m <sup>2</sup>
Touch screen type:	4-wire Resistive

### Product Options:

- 140kHU, 200kHU, 300kHU or 400kHU X-ray tubes
- Manual, semi-automatic or fully automatic collimators
- Trunnion mount

10.14 #9000-DW-DFMTPS



[www.delmedical.com](http://www.delmedical.com)

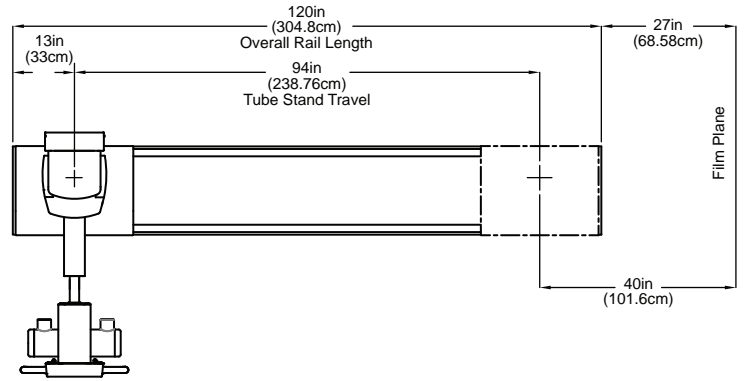
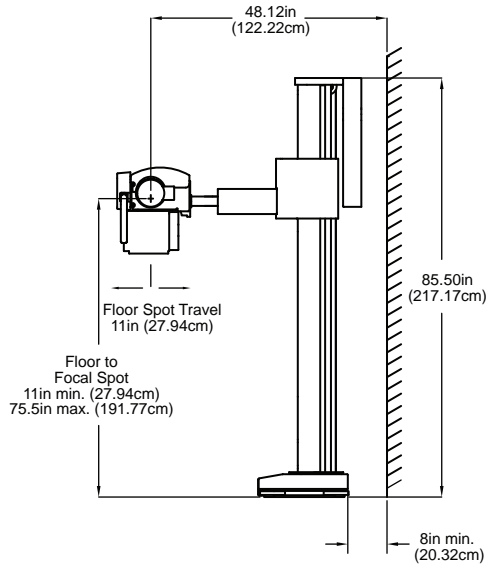


**New York**  
28 Calvert Street  
Harrison, NY 10528  
(Tel) 800.261.9808  
(Fax) 914.835.6111

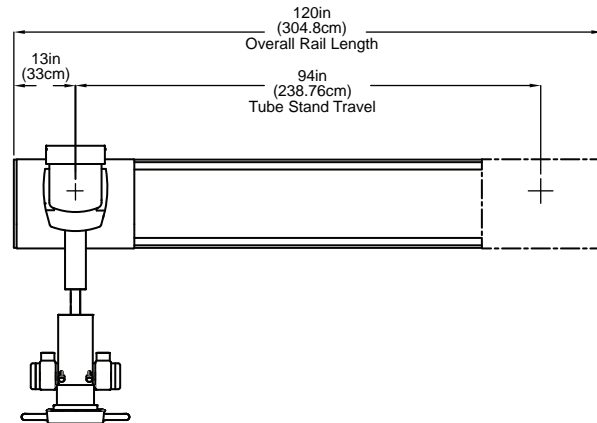
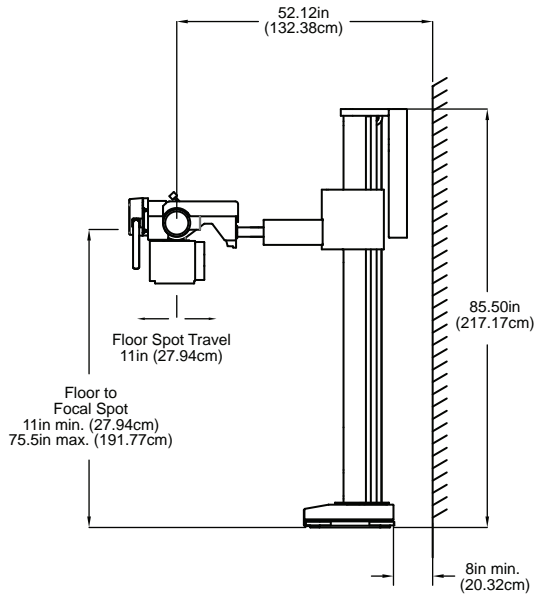
**Chicago**  
241 Covington Drive  
Bloomington, IL 60108  
(Tel) 800.800.6006  
(Fax) 847.288.7011

**DEL MEDICAL**  
A **UMG** COMPANY

with standard Platform Mount



with optional 3in or 4in Rings



DFMT (Touch Screen Console)

