

# DEL MEDICAL

## EV650

### Elevating, Four-Way Float Top Table

The Del Medical EV650 is built to demanding hospital quality standards and is ideally suited for any hospital or busy imaging center.

Effortless patient positioning is achieved with the rack and pinion motor drives for smooth, quiet table elevation while the precision roller bearing system allows the floating table top to glide freely.

The EV650 is configurable with any Del Medical tube and/or wall stand for a complete imaging suite.

#### Product Features

- 650lb (295kg) patient weight limit
- Smooth, quiet table operation with rack and pinion motor drive
- Integral collision sensors
- Heavy-duty electric table locks with foot treadle release
- All steel structure and welded base provides maximum strength and reliability
- Stain resistant fiber resin top
- Configurable for analog or digital imaging



Recessed foot treadles and the optional table-side hand switch operate table elevation and float.

# EV650

## Elevating, Four-Way Float Top Table



### Technical Specifications

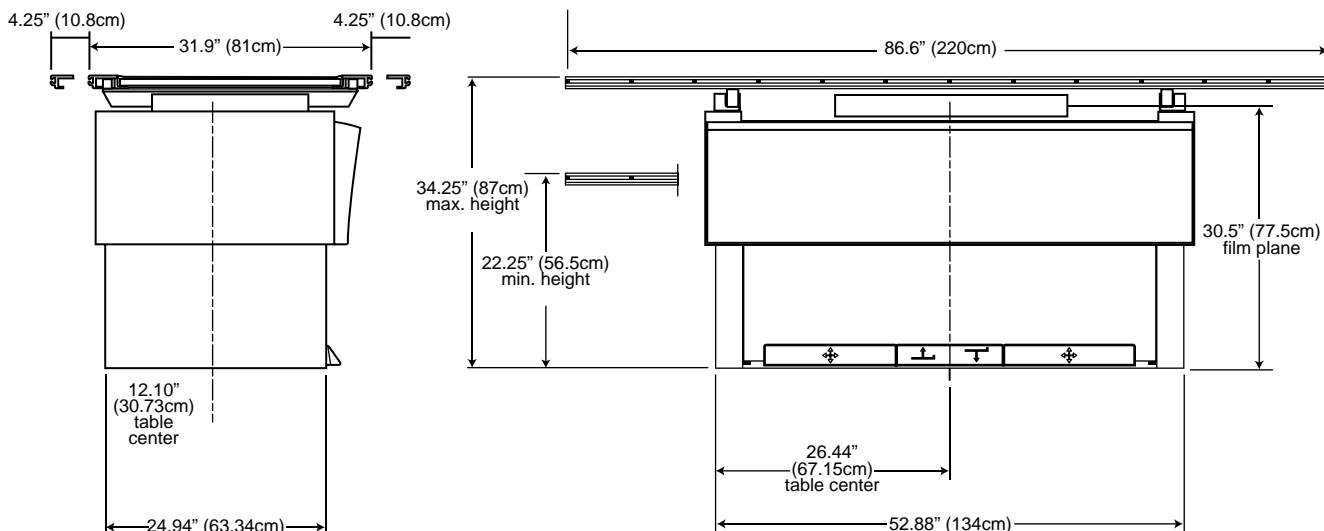
Load capacity:	650lb (295kg)
Base length:	52.88" (134cm)
Base width:	24.94" (63.34cm)
Table top movement:	Longitudinal $\pm$ 21.25" (54cm) Transverse $\pm$ 4.5" (11.4cm)
Variable height:	22.25" (56.5cm) to 34.25" (87cm)
Bucky travel:	$\pm$ 10.5 (26.7cm) <i>Some flat panel DR detectors may have some affect on table bucky travel.</i>
Top length, standard:	86.5" (220cm)
-optional	78" (198cm)
Top width, standard:	31.9" (81cm)
-optional	36" (91cm)
Table weight:	563lb (256kg)
Aluminum equivalency:	0.7mm
Power Requirements:	120 VAC or 230-240 VAC

### Certifications

- ETL listed

### Product Options

- 17" x 17" (43cm x 43cm) grid cabinet or bucky
- Deluxe, heavy-duty manual cassette tray
- Size-sensing cassette tray with PBL interface
- Ion chamber (AEC)
- Tableside hand control
- 78" (198cm) table top length
- Carbon fiber composite tabletop, (0.4mm Al. eq. @ 100kVp).
- Variety of grid options
- Lateral cassette holder
- Compression device
- Patient hand grips



## DEL MEDICAL

Toll Free: (800) 800-6006  
 Fax: (847) 288-7011  
 Email: info@delmedical.com  
 www.delmedical.com  
 241 Covington Drive, Bloomington, IL 60108

*Del Medical is a UMG Company.  
 Del Medical is an ISO 13485 & ISO9001 Certified Facility.  
 Specifications are subject to change without notice.*

## UMG

Toll Free: (800) 261-9808  
 Fax: (914) 835-6111  
 Email: info@umgxr.com  
 www.umgxr.com  
 28 Calvert Street, Harrison, NY 10528

02.16 #9000-EV650del