

# DEL MEDICAL

## IN Series

### Medical X-Ray Generators



Del Medical's IN Series generators are high-quality X-Ray generators that provide peak output powers from 32kW to 100kW at up to 400kHz output frequency. The generator features state-of-the-art computer-based control to ensure minimum patient dose, excellent reproducibility, and superior image contrast. The optional touch screen monitor presents a simple and user-friendly GUI interface.

#### Product Features

- Anatomical programs available in several languages
- Membrane console pedestal and exposure handswitch are included
- Six models to choose from: 32, 40, 50, 65, 80 & 100 kW

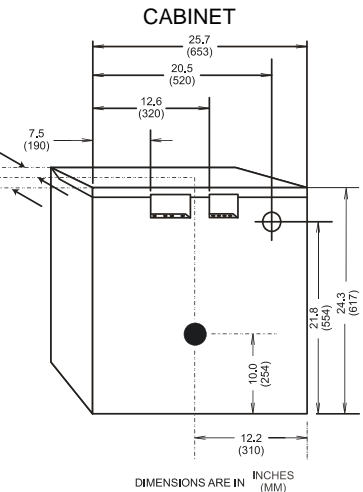
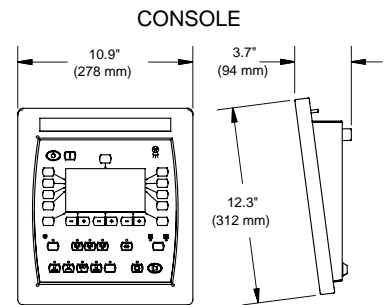


# IN Series

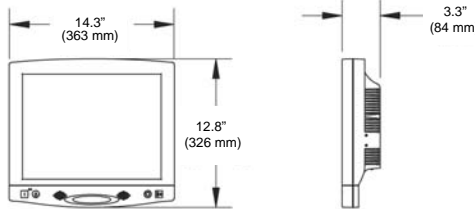
## Medical X-Ray Generators

### Generator Specifications

	IN32 (32kW)	IN40 (40kW)	IN50 (50kW)	IN65 (65kW)	IN80 (80kW)	IN100 (100kW)
Application	Radiographic	Radiographic Continuous Fluoroscopy Pulsed Fluoroscopy	Radiographic Continuous Fluoroscopy Pulsed Fluoroscopy	Radiographic Continuous Fluoroscopy Pulsed Fluoroscopy	Radiographic Continuous Fluoroscopy Pulsed Fluoroscopy	Radiographic Continuous Fluoroscopy Pulsed Fluoroscopy
Generator Type	High Frequency Output up to 400 kHz	High Frequency Output up to 400 kHz	High Frequency Output up to 400 kHz	High Frequency Output up to 400 kHz	High Frequency Output up to 400 kHz	High Frequency Output up to 400 kHz
kV Range Radiographic Continuous Fluoroscopy Pulsed Fluoroscopy	40 - 150 kV NA NA	40 - 150 kV 40 - 125 kV 40 - 125 kV	40 - 150 kV 40 - 125 kV 40 - 125 kV	40 - 150 kV 40 - 125 kV 40 - 125 kV	40 - 150 kV 40 - 125 kV 40 - 125 kV	40 - 150 kV 40 - 125 kV 40 - 125 kV
mA Range Radiographic Continuous Fluoroscopy Pulsed Fluoroscopy	10 - 400 mA NA NA	10 - 500 mA 0.5 - 10 mA up to 40 mA	10 - 630 mA 0.5 - 10 mA up to 40 mA	10 - 800 mA 0.5 - 10 mA up to 40 mA	10 - 1000 mA 0.5 - 10 mA up to 40 mA	10 - 1000 mA 0.5 - 10 mA up to 40 mA
Pulse Rates Pulsed Fluoroscopy	NA	30, 15, 7.5, 3, 1 @ 60 Hz 25, 12, 6, 3, 1 @ 50 Hz	30, 15, 7.5, 3, 1 @ 60 Hz 25, 12, 6, 3, 1 @ 50 Hz	30, 15, 7.5, 3, 1 @ 60 Hz 25, 12, 6, 3, 1 @ 50 Hz	30, 15, 7.5, 3, 1 @ 60 Hz 25, 12, 6, 3, 1 @ 50 Hz	30, 15, 7.5, 3, 1 @ 60 Hz 25, 12, 6, 3, 1 @ 50 Hz
mAs Range Non-AEC	0.1 - 630 mAs	0.1 - 630 mAs	0.1 - 1000 mAs	0.1 - 1000 mAs	0.1 - 1000 mAs	0.1 - 1000 mAs
Rotor Supply	Low Speed	Low Speed	Dual Speed	Dual Speed	Dual Speed	Dual Speed
Input Phase/Voltage	1 Ø/208-230 VAC 3 Ø/400-230 VAC	1 Ø/208-230 VAC 3 Ø/400-230 VAC	3 Ø 400/480 VAC	3 Ø 400/480 VAC	3 Ø 400/480 VAC	3 Ø 400/480 VAC
Line Match Transformer (3Ø/208-240VAC)	Yes	Yes	Yes	Yes	NA	NA
Line Voltage Range	±10%	±10%	±10%	±10%	±10%	±10%
High Voltage Ripple Radiographic Continuous Fluoroscopy	<1 kV @ 110 kV NA	<1 kV @ 110 kV <1 kV @ 100 kV	<1 kV @ 110 kV <1 kV @ 100 kV	<1 kV @ 110 kV <1 kV @ 100 kV	<1 kV @ 110 kV <1 kV @ 100 kV	<1 kV @ 110 kV <1 kV @ 100 kV
# of X-Ray Tubes	1 Tube Standard	1 Tube Standard	1 Tube Standard	1 Tube Standard	1 Tube Standard	1 Tube Standard
Exposure Timer Range	0.001 - 6.3 seconds	0.001 - 6.3 seconds	0.001 - 6.3 seconds	0.001 - 6.3 seconds	0.001 - 6.3 seconds	0.001 - 6.3 seconds
Anatomical Programs (APR)	1,024 exam techniques (20,000+ with optional touchscreen)	1,024 exam techniques (20,000+ with optional touchscreen)	1,024 exam techniques (20,000+ with optional touchscreen)	1,024 exam techniques (20,000+ with optional touchscreen)	1,024 exam techniques (20,000+ with optional touchscreen)	1,024 exam techniques (20,000+ with optional touchscreen)
# of Image Receptors	Up to 6	Up to 6	Up to 6	Up to 6	Up to 6	Up to 6
Technique Selection	kV/AEC, kV/mAs, kV/mAms	kV/AEC, kV/mAs, kV/mAms	kV/AEC, kV/mAs, kV/mAms	kV/AEC, kV/mAs, kV/mAms	kV/AEC, kV/mAs, kV/mAms	kV/AEC, kV/mAs, kV/mAms
GenWare® Service Software	Yes	Yes	Yes	Yes	Yes	Yes
Documentation	CD manual, hard copy optional	CD manual, hard copy optional	CD manual, hard copy optional	CD manual, hard copy optional	CD manual, hard copy optional	CD manual, hard copy optional
Auxiliary Room & Collimator Power	Yes	Yes	Yes	Yes	Yes	Yes
Exposure Hand Switch	Yes	Yes	Yes	Yes	Yes	Yes
Membrane Console Pedestal	Yes	Yes	Yes	Yes	Yes	Yes
<b>OPTIONS:</b>						
DR Digital Interfaces*	Yes	Yes	Yes	Yes	Yes	Yes
Mini Console Control	Yes	Yes	Yes	Yes	Yes	Yes
Touchscreen Console	Yes	Yes	Yes	Yes	Yes	Yes
Touchscreen Wallmount	Yes	Yes	Yes	Yes	Yes	Yes
Two Tube Operation	Yes	Yes	Yes	Yes	Yes	Yes
AEC Interface*	Ionization or Solid State*	Ionization or Solid State*	Ionization or Solid State*	Ionization or Solid State*	Ionization or Solid State*	Ionization or Solid State*
Membrane Console Wall Mount	Yes	Yes	Yes	Yes	Yes	Yes



Optional mini console and touchscreen display  
available with wall mount  
or desk pedestal



TOUCHSCREEN CONSOLE  
(Optional)

## DEL MEDICAL

Toll Free: (800) 800-6006  
 Fax: (847) 288-7011  
 Email: info@delmedical.com  
 www.delmedical.com  
 241 Covington Drive, Bloomingdale, IL 60108

Del Medical is a UMG Company.  
 Del Medical is an ISO 13485 & ISO9001 Certified Facility.  
 Specifications are subject to change without notice.

## UMG

Toll Free: (800) 261-9808  
 Fax: (914) 835-6111  
 Email: info@umgxray.com  
 www.umgxray.com  
 28 Calvert Street, Harrison, NY 10528

03.13 #9000-IN