

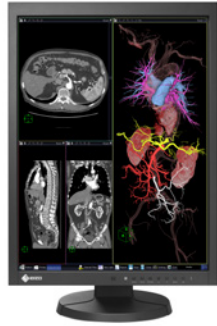


Clinical Review Monitor RadiForce® MX215



A monitor ideal for viewing MRI and CT medical images in clinical review environments with built-in calibration sensor for maintaining optimal user settings

- Optimum viewing of medical DICOM grayscale images
- Effortless quality control with built-in calibration sensor
- Low power consumption with LED backlight
- Minimal color and contrast shift when viewed from an angle
- Clear, detailed image reproduction with high contrast ratio
- Steady images across the screen with brightness uniformity technology
- Quick brightness level stabilization at startup
- Multiple modes for viewing CT, MRI, and endoscope images
- Power conservation with integrated presence sensor
- Improved operability with a versatile stand
- Customer assurance with compliance with international medical, safety, and EMC emissions standards
- FDA 510(k) clearance



RadiForce® MX215

Diagnostic Precision with DICOM Part 14 Factory Adjustment

To ensure the most accurate and consistent shadings possible, EIZO carefully measures and sets every grayscale tone on the production line to produce a monitor compliant with DICOM Part 14.

Easy Calibration with Integrated Front Sensor

Integrated Front Sensor, housed within the front bezel, is conveniently enabled and visible only when calibration is being performed. This dramatically reduces the time and effort needed for quality control.

Environmentally-Friendly LED Backlight

By utilizing an energy-efficient LED as a backlight, the monitor achieves a high-brightness and low power consumption at the same time. Since the LED backlight is mercury-free, it will reduce any potential impact on the environment when it is disposed of.

Wide Viewing Angles for Multiple People Use

Thanks to the wide viewing angles and high contrast ratios of the panel, images can be viewed simultaneously by several people with the highest quality reproduction and minimal color shift.

High Contrast Ratio

The high contrast ratio of 1500:1 allows the RadiForce MX215 to provide users with the high level of image quality and detail essential for viewing medical images in clinical environments.

Steadier Image Across the Screen

The Digital Uniformity Equalizer (DUE) function provides optimum backlight luminance uniformity which is difficult to attain due to the characteristics of LCD monitors, especially with a larger screen size.

Quick Brightness Stabilization for Instant Viewing

At startup or upon wakeup, the EIZO patented drift correction function quickly stabilizes the brightness level. In addition, a sensor measures the backlight brightness and counteracts brightness fluctuations caused by ambient temperature and the passage of time.

Mode Selection for Optimum Viewing

Selectable with the front panel buttons, the CAL Switch function allows for various imaging modes of different modalities such as CR, CT, and endoscope images.

Presence Sensor for Power Savings

The presence sensor prompts the monitor to switch to power save mode when it detects the user is away from the monitor, and then resumes normal operation when the user returns.

Versatile Positioning for Improved Operability

EIZO's highly versatile stand offers tilt, swivel and a wide height adjustment range for greater comfort.

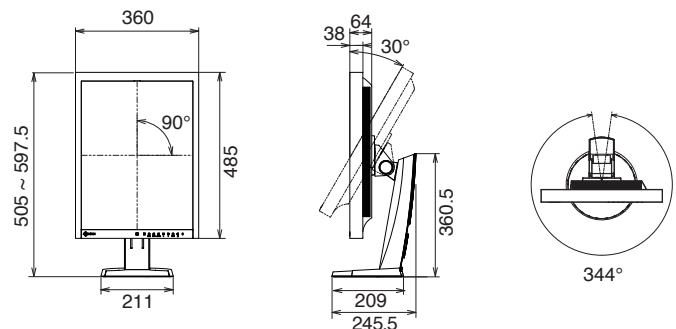
Customer Assurance with Medical Standards

EIZO monitors meet the strictest medical, safety, and EMC emission standards. The RadiForce MX215 has obtained FDA 510(k) clearance for general radiography.

Specifications

Cabinet Color	Black	
Panel	Type	TFT Color LCD Panel (IPS)
	Backlight	LED
	Size	54 cm / 21.3" (540 mm diagonal)
	Native Resolution	1200 x 1600 (3:4 aspect ratio)
	Display Size (H x V)	324.0 x 432.0 mm
	Pixel Pitch	0.270 x 0.270 mm
	Display Colors	10-bit colors (DisplayPort) : 1.07 billion (maximum) colors 8-bit colors: 16.77 million from a palette of 68 billion colors
	Viewing Angles (H / V, typical)	178°, 178°
	Brightness (typical)	420 cd/m ²
	Contrast Ratio (typical)	1500:1
Response Time (typical)	20 ms (On/Off)	
Video	Input Terminals	DVI-I x 1, DisplayPort x 1
Signals	Digital Scanning Frequency (H / V)	31 - 76 kHz / 59 - 61 Hz (VGA Text: 69 - 71 Hz)
	Analog Scanning Frequency (H / V)	26 - 80 kHz / 49 - 76 Hz
	Sync Formats	Separate, Composite
USB	Function	1 upstream, 2 downstream
	Standard	Rev. 2.0
Power	Power Requirements	AC 100 - 120 V, 200 - 240 V: 50 / 60 Hz
	Maximum Power Consumption	48 W
	Typical Power Consumption	19 W
	Power Save Mode	Less than 0.5 W
	Power Management	Digital: DVI DMPM, DisplayPort 1.1a Analog: VESA DPM
Sensor		Backlight Sensor, Integrated Front Sensor, Presence Sensor
Features & Functions	Brightness Stabilization	Yes
	Preset Modes	CAL Switch
	Digital Uniformity Equalizer	Yes
	OSD Languages	English, German, French, Italian, Japanese, Simplified Chinese, Spanish, Swedish, Traditional Chinese
Physical	Net Weight	8.0 kg
	Net Weight (Without Stand)	5.4 kg
Specifications	Net Weight (Without Stand)	5.4 kg
	Hole Spacing (VESA Standard)	100 x 100 mm
Certifications & Standards		CE (Medical Device Directive), EN60601-1, UL60601-1, CSA C22.2 No. 601-1, IEC60601-1, VCCI-B, FCC-B, Canadian ICES-003-B, C-tick, RoHS, China RoHS, WEEE, CCC, GOST-R (Please contact the EIZO group company or distributor in your country for the latest information.)
FDA 510(k) Clearance		Yes (for General Radiography)
Supplied Accessories		AC power cord, signal cable (DVI-D - DVI-D, DisplayPort - DisplayPort), USB cable, Utility Disk (RadiCS LE, ScreenManager Pro for Medical, user's manual)
Warranty		Five Years

Dimensions (Unit:mm)



EIZO Corporation

153 Shimokashiwano, Hakusan, Ishikawa 924-8566 Japan
Phone +81-76-277-6792 Fax +81-76-277-6793

www.eizo.com

All product names are trademarks or registered trademarks of their respective companies. EIZO, RadiForce, RadiCS and RadiNET are registered trademarks of EIZO Corporation. Specifications are subject to change without notice.

Copyright © 2013 EIZO Corporation. All rights reserved. (130804)